



# MARCH PUMPS

1819 PICKWICK AVE., GLENVIEW, IL 60026-1306, U.S.A  
 PHONE: (847) 729-5300 - FAX: (847) 729-7062  
 WWW.MARCHPUMP.COM

## DESCRIPTION:

Series 5.5 are centrifugal magnetic drive pumps, eliminating the need for a shaft seal. Pumps can be serviced with a screwdriver. Screws should be tightened in sequence and uniformly. Do not over tighten the screws or you may crush the plastic housing bosses. See the parts list for a breakdown of parts.

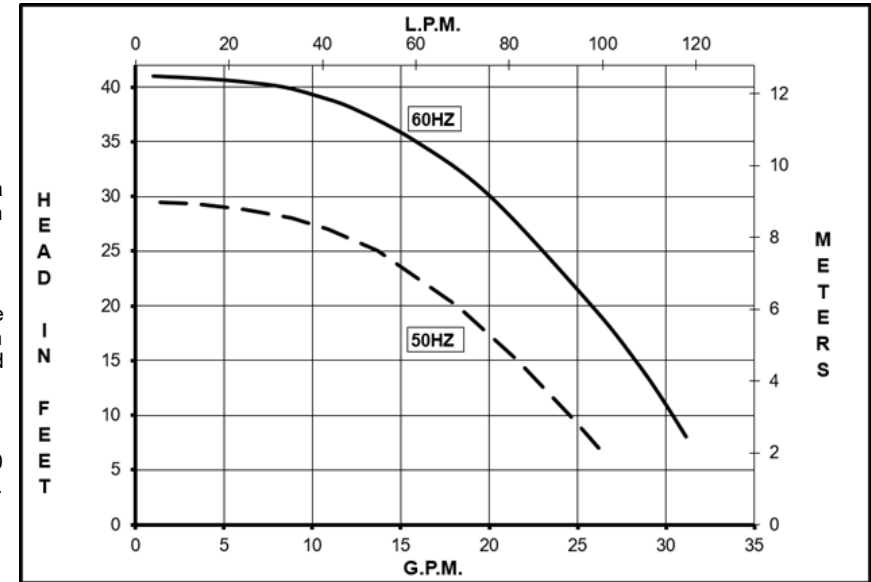
## OPERATION:

Pumps are not self-priming, lack a suction lift, and thus require a **flooded suction**. Pumps **cannot be run dry** because the impeller requires the liquid being pumped for lubrication. The direction of motor rotation should be clockwise when facing the inlet of the pump. For liquids with a specific gravity greater than water, have a higher viscosity, or for elevated temperatures, a trimmed impeller may be necessary. For application assistance, contact March Pump.

## ELECTRICAL:

TE-5.5-MD pumps are dual voltage 1 phase 115/230 60Hz (110/220 50 Hz) or dual voltage 230/460 60 Hz (190/380 50 Hz), 3 phase, TEFC. Motors are totally enclosed fan cooled and are U.L. listed as well as rated for continuous operation. All motors have a conduit box for electrical connections.

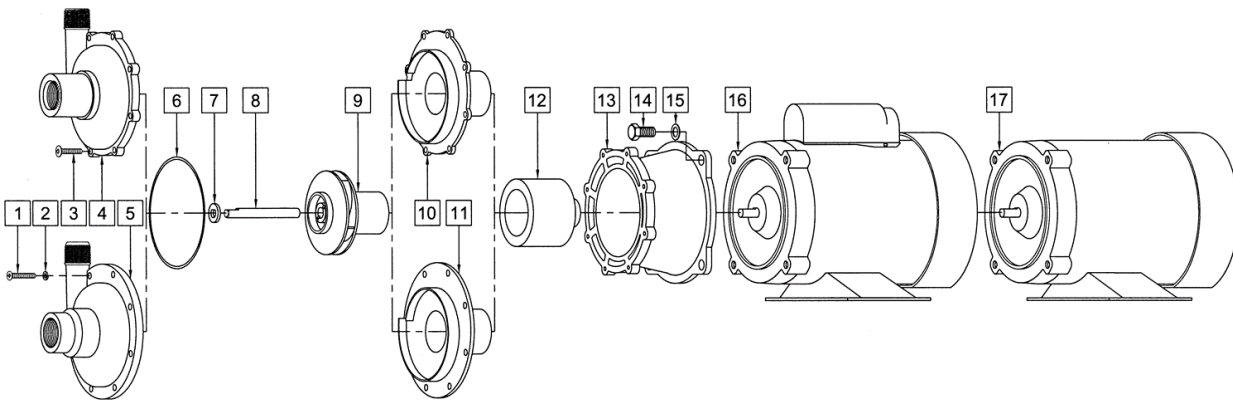
## TE-5.5C-MD, TE-5.5K-MD, TE-5.5S-MD



Specifications		TE-5.5C-MD	TE-5.5K-MD	TE-5.5S-MD
Product	1 Phase	0151-0124-0100	0151-0125-0100	0151-0126-0100
	3 Phase	0151-0027-0800	0151-0027-0900	0151-0002-0400
Inlet-Outlet		1" FPT - 3/4" MPT	1" FPT - 3/4" MPT	1" FPT - 3/4" MPT
Max Internal Pressure		50 psi (344 kPa)	75 psi (517 kPa)	200PSI (1378 kPa)
Max Liquid Temperature		190F (87C)	200F (93C)	250F (121C)

Model	60Hz											50Hz											Packed Weight Pounds
	Max Flow		Max Head			Electrical						Max Flow		Max Head			Electrical						
	GPM	LPM	FT	PSI	M	Ph	V	A	HP	kW	RPM	GPM	LPM	Feet	PSI	M	Ph	V	A	HP	kW	RPM	
TE-5.5C-MD	30	114	41	17.8	12.5	1	115/230	5.3/2.6	1/3	0.25	3450	27	102	29.5	12.8	9	1	110/220	5.7/2.8	1/3	0.25	2850	23.4
TE-5.5C-MD	30	114	41	17.8	12.5	3	230/460	1.2/0.6	1/3	0.25	3450	27	102	29.5	12.8	9	3	190/380	1.2/0.6	1/3	0.25	2850	27.6
TE-5.5K-MD	30	114	41	17.8	12.5	1	115/230	5.3/2.6	1/3	0.25	3450	27	102	29.5	12.8	9	1	110/220	5.7/2.8	1/3	0.25	2850	23.8
TE-5.5K-MD	30	114	41	17.8	12.5	3	230/460	1.2/0.6	1/3	0.25	3450	27	102	29.5	12.8	9	3	190/380	1.2/0.6	1/3	0.25	2850	28.05
TE-5.5S-MD	30	114	41	17.8	12.5	1	115/230	5.3/2.6	1/3	0.25	3450	27	102	29.5	12.8	9	1	110/220	5.7/2.8	1/3	0.25	2850	28.55
TE-5.5S-MD	30	114	41	17.8	12.5	3	230/460	1.2/0.6	1/3	0.25	3450	27	102	29.5	12.8	9	3	190/380	1.2/0.6	1/3	0.25	2850	32.8

All specifications & data are based on pumping water & are intended as a guideline only. Specifications may vary with different motors.



**NOTE:** When attaching the Drive Magnet to the motor shaft for the TE-5.5C or TE-5.5K position the face of the Drive Magnet flush with the face of the Motor Bracket. For the TE-5.5S, position the drive magnet 1/16 inch below the face of the Motor Bracket.

TE-5.5C-MD				TE-5.5K-MD			
Item	Part Number	QTY REQ	Description	Item	Part Number	QTY REQ	Description
3	0135-0180-1000	8	#10-32 x 1" Long Screw (Stainless)	3	0135-0180-1000	8	#10-32 x 1" Long Screw (Stainless)
4	0151-0027-1000	1	Front Housing (Polypropylene)	4	0151-0044-1000	1	Front Housing (Kynar)
6	0153-0015-1000	1	3/32" CS x 4-7/16" OD "O" Ring (Viton)	6	0153-0015-1000	1	3/32" CS x 4-7/16" OD "O" Ring (Viton)
7	0155-0009-1000	1	Thrust Washer (Ceramic)	7	0155-0009-1000	1	Thrust Washer (Ceramic)
8	0153-0007-1000	1	Shaft (Ceramic)	8	0153-0007-1000	1	Shaft (Ceramic)
9	0151-0029-0500	1	Impeller (Polypropylene)	9	0151-0046-0300	1	Impeller (Kynar)
10	0151-0028-0100	1	Rear Housing (Polypropylene) with Ceramic Thrust Washer	10	0151-0045-0100	1	Rear Housing (Kynar) with Ceramic Thrust Washer
12	0151-0061-0200	1	Drive Magnet	12	0151-0061-0200	1	Drive Magnet
13	0151-0090-0100	1	Motor Bracket	13	0151-0090-0100	1	Motor Bracket
14	0155-0017-1000	4	3/8-16 x 3/4" Long Screw (Stainless)	14	0155-0017-1000	4	3/8-16 x 3/4" Long Screw (Stainless)
15	0155-0019-1000	4	3/8" ID x 5/8" OD Washer (Stainless)	15	0155-0019-1000	4	3/8" ID x 5/8" OD Washer (Stainless)
16	0151-0119-1000	1	1 Phase Motor	16	0151-0119-1000	1	1 Phase Motor
17	0151-0039-1000	1	3 Phase Motor	17	0151-0039-1000	1	3 Phase Motor
W	0151-0069-0100	1	Wet End Kit (Items: 3,4,6,7,8,9,10)	W	0151-0070-0100	1	Wet End Kit (Items: 3,4,6,7,8,9,10)
TE-5.5S-MD							
1	0135-0181-1000	8	#10-32 x 1-1/8" Long Screw (Stainless)	Materials in contact with the solution			
2	0151-0016-1000	8	#10 Lock Washer (Stainless)				
5	0151-0002-0010	1	Front Housing (316 SS)	TE-5.5C-MD	Polypropylene, Ceramic, Viton		
6	0153-0015-1000	1	3/32" CS x 4-7/16" OD "O" Ring (Viton)	TE-5.5K-MD	Glass Filled Kynar, Ceramic, Viton		
7	0155-0009-1000	1	Thrust Washer (Ceramic)	TE-5.5S-MD	316 SS, Carbon Ceramic, Viton		
8	0153-0007-1000	1	Shaft (Ceramic)	<p>NOTE: Contact Factory for other materials and/or parts not listed.</p> <p>Explosion proof and special voltage motors are available upon special order.</p> <p><b>LIMITED WARRANTY:</b> March pumps are guaranteed only against defects in workmanship or materials for a period of one year from date of manufacture pumping water. For the complete warranty and to register online go to <a href="http://www.marchpump.com/warranty-registration">www.marchpump.com/warranty-registration</a></p>			
9	0151-0001-0400	1	Impeller (316 SS) with Carbon Bushing				
11	0151-0003-0010	1	Rear Housing (316 SS)				
12	0151-0061-0200	1	Drive Magnet				
13	0151-0090-0100	1	Motor Bracket				
14	0155-0017-1000	4	3/8-16 x 3/4" Long Screw (Stainless)				
15	0155-0019-1000	4	3/8" ID x 5/8" OD Washer (Stainless)				
16	0151-0119-1000	1	1 Phase TEFC Motor				
17	0151-0039-1000	1	3 Phase TEFC Motor				