



PRICE PUMP®

**AIR OPERATED DIAPHRAGM
AOD® PUMPS**



**THINK QUALITY
THINK DELIVERY
THINK PRICE**

TABLE OF CONTENTS

WHY CHOOSE PRICE PUMP®	2
FAMILY CURVE	3
ANATOMY OF AN AOD®	4
METALLIC AOD®	5-6
TECHNICAL INFORMATION	7-8
NONMETALLIC AOD®	9-10
ACCESSORIES	11-12
ABOUT PRICE PUMP®	13





WHY CHOOSE PRICE PUMP®

AOD® PUMPS OPERATE SUBSTANTIALLY DIFFERENT FROM CONVENTIONAL ELECTRICALLY DRIVEN CENTRIFUGAL OR POSITIVE DISPLACEMENT PUMPS. THESE DIFFERENCES CAN MAKE THE AOD® THE MOST COST EFFECTIVE SOLUTION TO YOUR MOST DIFFICULT PUMPING PROBLEMS.

FEATURES

- WIDE RANGE OF FLUID CAPABILITIES • VARIABLE FLOWS UP TO 230 GPM • DRY RUN CAPABLE • FULLY SUBMERSIBLE •
- OPERABLE WITH A CLOSED DISCHARGE • GREAT FOR BATCHING APPLICATIONS • SELF PRIMING • INHERENTLY EXPLOSION PROOF •
- HANDLES SENSITIVE AND FRAGILE LIQUIDS LIKE PAINT, INK, AND CLAY SLIPS •

ADVANTAGES

ENGINEERED EXCELLENCE

OUR ENGINEERS HAVE ACHIEVED STALL-FREE, OIL-LESS OPERATION WHILE USING THE FEWEST AIR VALVE COMPONENTS OF ANY MAJOR DIAPHRAGM PUMP MANUFACTURER. WITH THE USE OF SELF LUBRICATING PHENOLIC PISTON RINGS, O-RINGS ARE NO LONGER NECESSARY!

WHILE OTHER DIAPHRAGM PUMP MANUFACTURERS MAY OFFER BOLTED OR CLAMPED DESIGNS, OUR ENGINEERS HAVE DESIGNED BOTH CLAMPED AND BOLTED OPTIONS FOR ALMOST EVERY PUMP!

INDUSTRY LEADING CUSTOMER SERVICE AND LEAD TIMES

AT PRICE PUMP® WE PRIDE OURSELVES IN OUR WORLD CLASS CUSTOMER SERVICE, AND OUR DEDICATION TO CUSTOMER SATISFACTION. TO AID IN THIS, WE OFFER THE INDUSTRY'S BEST 7-10 DAY LEAD TIME ON OUR PUMPS. WE STOCK ALL MATERIAL OPTIONS ON OUR PUMPS, SO NO MATTER THE CONFIGURATION, YOUR PARTS AND PUMPS WILL BE IN STOCK AND READY TO SHIP WHEN YOU NEED THEM.

EXPEDITING OPTIONS

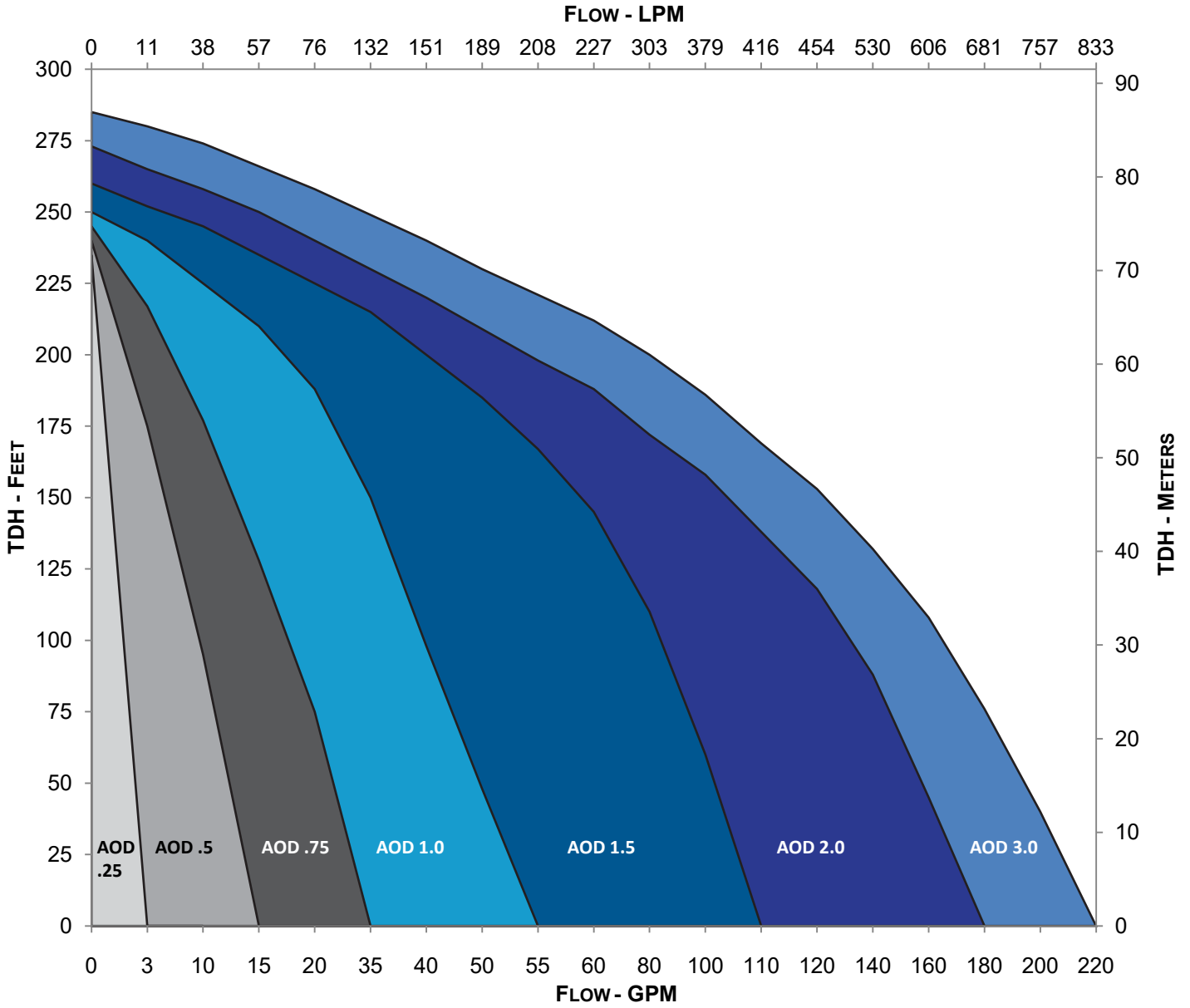
WE ARE ALSO PLEASED TO OFFER EXPEDITING OPTIONS ON OUR STANDARD PUMPS WITH VIP (VERY IMPORTANT PUMP) SHIPPING OPTIONS AVAILABLE! PARTS ORDERS SHIP NEXT DAY STANDARD BUT WITH OUR PONY (PARTS ORDER NEEDED YESTERDAY) PROGRAM YOUR PARTS CAN SHIP THE SAME DAY THAT YOU PLACED YOUR PURCHASE ORDER. WHEN YOU NEED A SOLUTION AND NEED IT FAST, THINK QUALITY...THINK DELIVERY... THINK PRICE®.





FAMILY CURVE

4613010



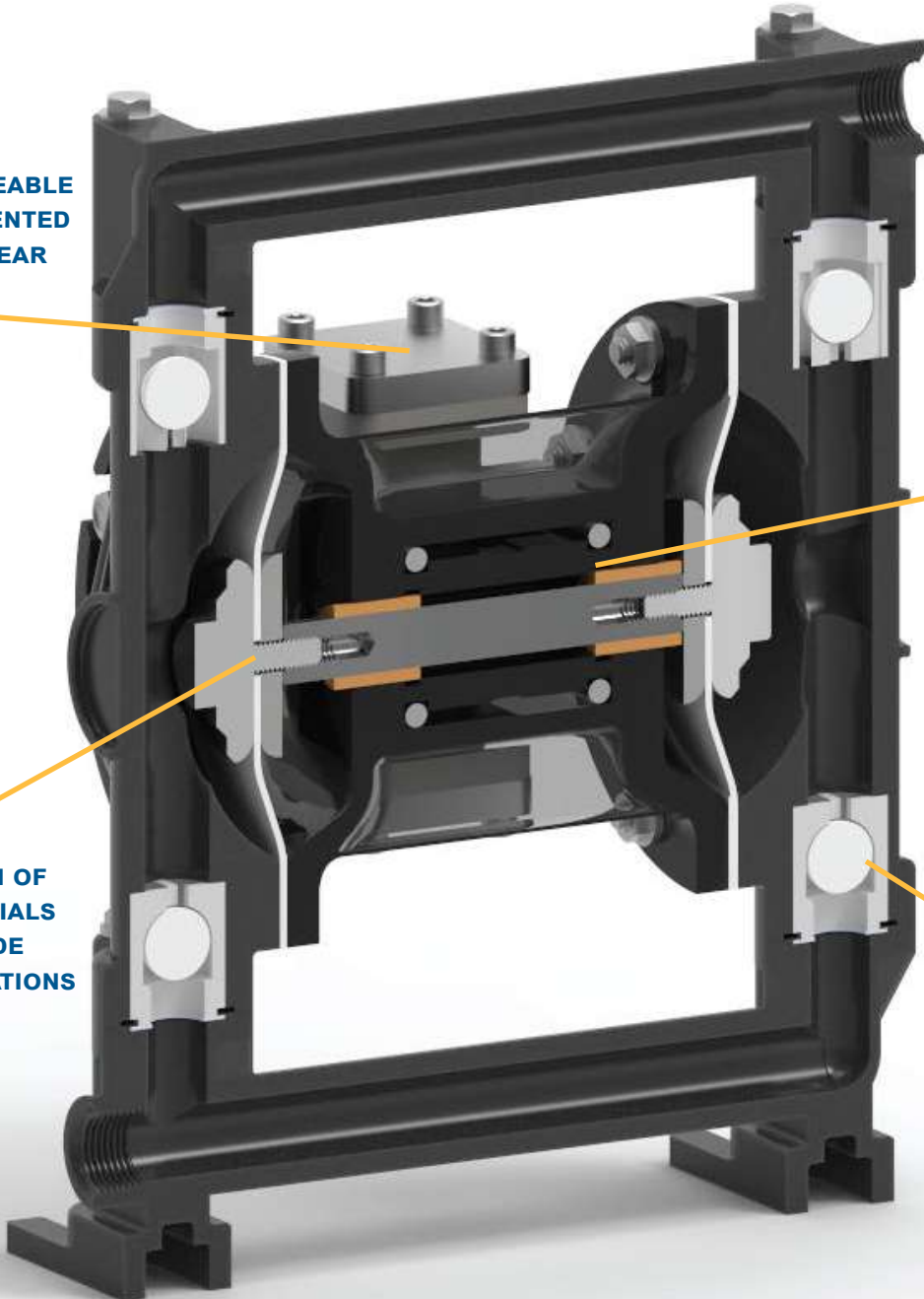
ANATOMY OF AN AOD[®]

**EXTERNALLY SERVICEABLE
AIR VALVE COMPLIMENTED
BY A STANDARD 5 YEAR
WARRANTY**

**LOW MAINTENANCE
O-RING FREE AIR VALVE
DESIGN FOR OILLESS AND
STALL FREE OPERATION**

**LARGE SELECTION OF
DIAPHRAGM MATERIALS
TO HANDLE A WIDE
VARIETY OF APPLICATIONS**

**MULTIPLE BALL/SEAT
CHECK VALVE MATERIALS
AVAILABLE TO ALLOW
PASSAGE OF SOLIDS AND
VISCIOUS FLUIDS**



METALLIC AOD®



CONFIGURATIONS

- WIDE RANGE OF SIZES AVAILABLE:
1/4", 1/2", 3/4", 1", 1 1/2", 2", AND 3"
- FLOWS RANGING FROM 3.4 TO 230 GPM
- BOLTED AND CLAMPED OPTIONS AVAILABLE

SPECIFICATIONS

- MAX AIR INLET PRESSURE: 100 - 125 PSI
- MAXIMUM TEMPERATURES: 212°F TO 248 °F
- AIR INLET OPTIONS: 1/4" AND 3/8" FNPT
- AIR OUTLET OPTIONS: 3/8", 1/2", AND 3/4" FNPT
- MAX SOLID SIZE: .004" TO .438"

RANGE OF SPECIFICATIONS MAY NOT BE AVAILABLE FOR ALL MODELS

MATERIAL OPTIONS

- BUNA
- EPR
- SANTOPRENE®
- NEOPRENE
- TEFLON®
- VITON®
- CAST IRON
- ALUMINUM
- STAINLESS STEEL



4613010

APPLICATIONS

- PAINT
- AEROSPACE
- AUTOMOTIVE
- BEVERAGE INDUSTRY
- CHEMICAL AND PETROLEUM
- GLASS AND FIBERGLASS
- MARINE
- MINE AND CONSTRUCTION
- PAPER AND WOOD
- MANY OTHERS



WE HAVE A PUMP TO FIT YOUR MOST COMPLICATED APPLICATIONS!

MATERIALS		CHEMICAL COMPATIBILITY							Costs
		KETONES	ACETATES	AROMATIC HYDROCARBONS	CHLORINATED HYDROCARBONS	OIL & GAS	WATER/ WASTEWATER	ALCOHOLS	(\$)
METALS	STAINLESS STEEL	✓	✓	✓	✓	✓	✓	✓	\$\$
	ALUMINUM	✓		✓		✓			\$
	CAST IRON			✓	✓	✓			\$
ELASTOMERS	BUNA					✓			\$
	EPR	✓	✓				✓	✓	\$
	SANTOPRENE®	✓	✓				✓	✓	\$
	NEOPRENE						✓		\$
	TEFLON®	✓	✓	✓	✓	✓	✓	✓	\$\$\$
	VITON®			✓	✓	✓	✓	✓	\$\$

THIS INFORMATION PROVIDED IS COMPILED FROM VARIOUS RESOURCES AND IS TO BE USED AS A REFERENCE ONLY. PLEASE SEE SPECIFIC FLUID PROPERTIES ON A CORROSION RESISTANCE GUIDE FOR COMPATIBILITY.

TECHNICAL INFORMATION



METALLIC AOD® - TECHNICAL INFORMATION AND SPECIFICATIONS

MODEL NUMBER/ SPECIFICATION	MAX FLOW GPM (LPM)	DISPLACEMENT GAL (LITERS)		MAX INLET PSI (BAR)	MAX SOLID SIZE INCHES (MM)	HIGH TEMP LIMIT °F (°C)			LOW TEMP LIMIT °F (°C)			SHIPPING WEIGHT LBS (KG)		
		ELAS	TEF			AL	SS	CI	AL	SS	CI	AL	SS	CI
.25 AOD	3.4	.009	.0085	100	.004	212	212	----	----	----	----	4.3	6.9	----
	12.9	.03	.032	6.9	.1	100	100	----	----	----	----	1.95	3.13	----
.5 AOD	12.4	.03	.031	100	1/32	248	248	----	----	----	----	12	16.6	----
	46.9	.11	.117	6.9	1.0	120	120	----	----	----	----	5.44	7.53	----
.75 AOD	27.3	.14	.10	100	1/16	248	248	----	----	----	----	24.8	35.8	----
	103	.53	.38	6.9	1.6	120	120	----	----	----	----	11.25	16.23	----
1 AOD	35	.18	.12	125	1/8	248	248	248	32	32	32	34	45	53
	132	.68	.45	8.8	3.2	120	120	120	0	0	0	15.4	20.4	24.0
1.5 AOD	75	.35	.20	125	3/16	248	248	248	32	32	32	48	85	88
	284	1.3	.75	8.8	4.7	120	120	120	0	0	0	21.8	36.6	39.9
2 AOD	170	.85	.80	125	3/8	248	248	248	32	32	32	96	165	161
	643	3.2	3.0	8.8	9.5	120	120	120	0	0	0	43.5	74.8	73
3 AOD	230	.87	.82	125	7/16	248	248	248	32	32	32	124	230	223
	871	3.3	3.1	8.8	11	120	120	120	0	0	0	56.2	104	101

NON-METALLIC AOD® - TECHNICAL INFORMATION AND SPECIFICATIONS

MODEL NUMBER/ SPECIFICATION	MAX FLOW GPM (LPM)	DISPLACEMENT GAL (LITERS)		MAX INLET PSI (BAR)	MAX SOLID SIZE INCHES (MM)	HIGH TEMP LIMIT °F (°C)		LOW TEMP LIMIT °F (°C)		SHIPPING WEIGHT LBS (KG)	
		ELAS	TEF			POLYPRO	PVDF	POLYPRO	PVDF	POLYPRO	PVDF
.25 AOD	3.4	.009	.0085	100	.004	180	212	32	32	4.0	4.7
	12.9	.03	.035	6.9	.1	82	100	0	0	1.8	2.1
.5 AOD	15	.04	.014	125	1/8	180	248	32	32	11	13.5
	57	.015	.05	8.8	3.2	82	180	0	0	5.0	6.1
.75 AOD	27.3	.14	.10	100	1/16	180	N/A	32	N/A	22.6	N/A
	103	.53	.38	6.9	1.6	82		0		10.25	
1 AOD	35	.12	.10	125	3/16	180	248	32	32	39	44.5
	132	.45	.38	8.8	4.7	82	120	0	0	17.7	20.2
1.5 AOD	115	.74	.37	100	9/32	180	248	32	32	78	78
	435	2.8	1.4	6.9	7.0	82	120	0	0	35.4	35.4
2 AOD	170	.85	.80	125	3/8	180	248	32	32	82	105
	643	3.2	3.0	8.8	9.5	82	120	0	0	37	47
3 AOD	213	2.25	1.0	100	13/32	180	N/A	32	N/A	178	N/A
	806	8.5	3.8	6.9	10.0	82		0		81	



NON-METALLIC AOD®



CONFIGURATIONS

- WIDE RANGE OF SIZES AVAILABLE: 1/4", 1/2", 3/4", 1", 1 1/2", 2", AND 3"
- FLOWS RANGING FROM 3.4 TO 213 GPM
- FLANGED AND THREADED OPTIONS AVAILABLE

SPECIFICATIONS

- MAX AIR INLET PRESSURE: 100 - 125 PSI
- MAXIMUM TEMPERATURES: 180°F TO 248°F
- AIR INLET OPTIONS: 1/4", 3/8", AND 3/4" FNPT
- AIR OUTLET OPTIONS: 3/8", 1/2", 3/4", AND 1" FNPT
- MAX SOLID SIZE: .004" TO .406"

RANGE OF SPECIFICATIONS MAY NOT BE AVAILABLE FOR ALL MODELS

MATERIAL OPTIONS

- BUNA
- EPR
- SANTOPRENE®
- NEOPRENE
- TEFLON®
- VITON®
- KYNAR
- POLYPROPYLENE



APPLICATIONS

- PAINT
- AEROSPACE
- AUTOMOTIVE
- BEVERAGE
- CHEMICAL AND PETROLEUM
- GLASS AND FIBERGLASS
- MARINE
- MINE AND CONSTRUCTION
- PAPER AND WOOD
- MANY OTHERS



WE HAVE A PUMP TO FIT YOUR MOST COMPLICATED APPLICATIONS!

MATERIALS		CHEMICAL COMPATIBILITY							Costs
		KETONES	ACETATES	AROMATIC HYDROCARBONS	CHLORINATED HYDROCARBOS	OIL & GAS	WATER/WASTEWATER	ALCOHOLS	(\$)
POLYMER	KNYAR	✓	✓	✓	✓	✓	✓	✓	\$\$
	POLYPROPYLENE						✓	✓	\$
ELASTOMERS	BUNA					✓			\$
	EPR	✓	✓				✓	✓	\$
	SANTOPRENE®	✓	✓				✓	✓	\$
	NEOPRENE						✓		\$
	TEFLON®	✓	✓	✓	✓	✓	✓	✓	\$\$\$
VITON®			✓	✓	✓	✓	✓	\$\$\$	

THIS INFORMATION PROVIDED IS COMPILED FROM VARIOUS RESOURCES AND IS TO BE USED AS A REFERENCE ONLY. PLEASE SEE SPECIFIC FLUID PROPERTIES ON A CORROSION RESISTANCE GUIDE FOR COMPATIBILITY.

ACCESSORIES



CYCLE TIMER

THE BATCH CONTROLLER PROVIDES BATCH CONTROL CYCLES OF A PRODUCT AT REPEATED INTERVALS. ONCE THE SPECIFIC PREDETERMINED AMOUNT HAS BEEN REACHED, THE CONTROLLER SIGNALS THE PUMP TO SHUT OFF. THE SYSTEM OFFERS 3 SEPARATE BATCH CYCLES AND IS PROGRAMMED USING A 7-BUTTON KEYPAD.

DIAPHRAGM MONITORING

THE DIAPHRAGM MONITORING SYSTEM IS DESIGNED TO PROTECT YOUR PUMP AGAINST DAMAGE FROM CORROSIVE, AGGRESSIVE, OR OTHER HARMFUL PUMPED FLUIDS. POWERED BY STANDARD LINE CURRENT, THE SYSTEM AUTOMATICALLY INTERRUPTS AIR SUPPLY TO THE PUMP AND/OR ACTIVATES AN INDICATOR THE MOMENT A DIAPHRAGM LEAK IS DETECTED.





FILTER/REGULATOR

ONE OF THE MOST COMMON ADDITIONS TO ANY AOD® PUMP IS A FILTER/REGULATOR. THESE FIT EASILY IN NEARLY ALL APPLICATIONS AND FILTER PLANT AIR TO 5 MICRONS WHILE ALLOWING PRECISE CONTROL OF AOD® PUMPS.



PULSATION DAMPENERS

OUR PULSATION DAMPENERS AND SURGE SUPPRESSORS CAN ECONOMICALLY ELIMINATE UP TO 98% OF LOW FREQUENCY, HIGH AMPLITUDE PULSATIONS PRODUCED BY DIAPHRAGM PUMPS. THE RIGHT SIZES AND MATERIALS OF CONSTRUCTION ARE AVAILABLE FOR EVERY APPLICATION.

ABOUT PRICE PUMP®

1932

FOUNDED BY E.L. PRICE IN EMERYVILLE, CALIFORNIA.

1962

PRICE PUMP® IS ACQUIRED BY LEON J. PAUL AND THE NAME IS RETAINED DUE TO THE REPUTATION FOR QUALITY AND SERVICE.

1980

THE AGRICULTURE MARKET IS REPLACED BY CHEMICAL, LASER, AND SEMICONDUCTOR MARKETS.

1989

PRICE PUMP® RELOCATES TO THEIR 32,000 SQUARE FOOT SONOMA CALIFORNIA FACILITY.

1992

BOB PIAZZA JOINS AS PRESIDENT AND BRINGS A LIFETIME OF PUMP EXPERIENCE.



1994

PRICE PUMP® CONTINUES TO INNOVATE AND LAUNCHES A LINE OF MAGNETICALLY DRIVEN SEAL-LESS PUMPS.

1999

AIR OPERATED DIAPHRAGM (AOD®) PUMPS ARE ACQUIRED FROM ITT-MARLOW.



2007

PRICE PUMP® PARTNERS WITH MITSUBISHI ELECTRIC AUTOMATION AND INTRODUCES VARIABLE FREQUENCY DRIVES (VFD).

2010

THE XJ400 IS INTRODUCED PRODUCING FLOWS OVER 1000 GALLONS PER MINUTE.

2012

PRICE PUMP® BECOMES AN ISO 9001 CERTIFIED COMPANY.



2012-2017

THE PURCHASE OF A NEW 3D PRINTER AND ADDITIONAL INVESTMENT IN ENGINEERING DESIGN AND DEVELOPMENT LEAD TO RAPID PROTOTYPING. THIS LEADS TO SEVERAL NEW PUMP RELEASES.

2019

NEW CORPORATE HEADQUARTERS OPENED AT 2203 SMEED PARKWAY IN CALDWELL IDAHO. PRICE PUMP® MOVES ALL PRODUCTION TO THIS NEW FACILITY.



2020

PRICE PUMP® FINISHES COMPLIANCE TESTING IN THEIR NEWLY CONSTRUCTED STATE OF THE ART TEST FACILITY; VERIFICATION OF COMPLIANCE WITH DEPARTMENT OF ENERGY PUMP ENERGY INDEX STANDARDS IS COMPLETED.

CHECK OUT OUR OTHER PRODUCT OFFERINGS



HORIZONTAL CENTRIFUGAL PUMPS



SEALLESS CENTRIFUGAL PUMPS



VERTICAL CENTRIFUGAL PUMPS

FOR MORE INFORMATION PLEASE VISIT WWW.PRICEPUMP.COM

NOTES

A series of horizontal dotted lines for taking notes, located within a white rounded rectangular box at the bottom of the page.



PRICE PUMP®

**FOR ALL OF OUR CURRENT OFFERINGS AND LOCAL REPRESENTATIVES
PLEASE VISIT WWW.PRICEPUMP.COM**

**2203 SMEED PARKWAY
CALDWELL, ID 83605
1-800-345-PUMP (7867)**



**HYDRAULIC
INSTITUTE**
PROUD MEMBER