



PRICE PUMP[®]

SEALLESS PUMPS



THINK QUALITY
THINK DELIVERY
THINK PRICE

TABLE OF CONTENTS

WHY CHOOSE PRICE PUMP®	2
FAMILY CURVE	3
SEALLESS PUMPS	
XL/XT-MD	4
CD-MD AND CL-MD	5
2MS-MD AND HP-MD	6
SEALLESS PUMP ANATOMY	7-8
VFD FREQUENTLY ASKED QUESTIONS	9
VARIABLE FREQUENCY DRIVES (VFD)	10
CASE STUDY: CBD OIL PRODUCTION	11
SERVICES	12
ABOUT PRICE PUMP®	13



WHY CHOOSE PRICE PUMP®

ZERO LEAKAGE - PREVENTS LOSS OF HAZARDOUS AND/OR EXPENSIVE PROCESS FLUIDS DUE TO TOTAL PRODUCT CONTAINMENT

EMISSION FREE - PROVIDES A SAFER, CLEANER WORKING ENVIRONMENT

SEALLESS DESIGN - ELIMINATION OF THE ROTATING MECHANICAL SEAL RIDS THE USER OF POTENTIAL PROBLEMS WITH MECHANICAL SEALS

LOW MAINTENANCE - RELIABLE PUMP OPERATION REDUCES DOWN TIME AND KEEPS MAINTENANCE COSTS AT A MINIMUM

APPLICATIONS

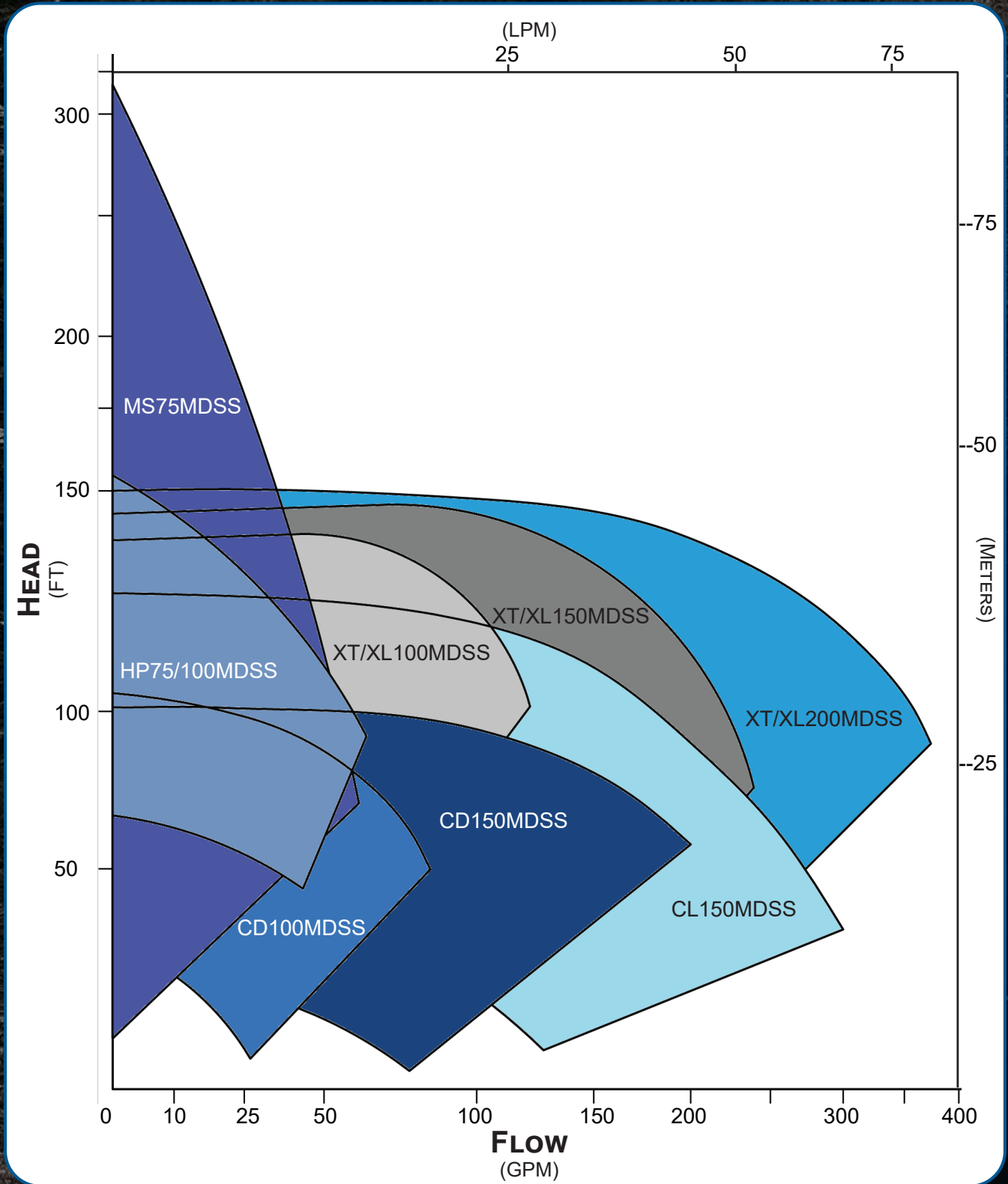
- REFRIGERATION • CHEMICAL PROCESSES • SEMI-CONDUCTOR • BIODIESEL PRODUCTION •
- WATER TREATMENT • PHARMACEUTICAL • CRYOGENIC • GALVANIC PROCESSES •
- PULP AND PAPER • AUTOMOTIVE • VAPOR DEGREASERS • TOXIC FLUIDS • SCRUBBER •



INDUSTRY LEADING CUSTOMER SERVICE AND LEAD TIMES

AT PRICE PUMP® WE PRIDE OURSELVES IN OUR WORLD CLASS CUSTOMER SERVICE, AND OUR DEDICATION TO CUSTOMER SATISFACTION. TO AID IN THIS, WE OFFER THE INDUSTRY'S BEST 7-10 DAY LEAD TIME ON OUR PUMPS. WE STOCK ALL MATERIAL OPTIONS ON OUR PUMPS, SO NO MATTER THE CONFIGURATION, YOUR PARTS AND PUMPS WILL BE IN STOCK AND READY TO SHIP WHEN YOU NEED THEM.

FAMILY CURVE



WITH PUMP FLOWS REACHING 400 GPM AND HEADS UP TO 320 FEET PRICE PUMP® HAS A SEALLESS PUMP TO FIT YOUR NEEDS!



PRICE PUMP

TYPE XL/XT-MD

FLOWS TO 400 GPM / HEADS TO 150 FEET



MODELS

XT100MDSS – 1" x 1.5" x 5.98"

XT150MDSS – 1.5" x 2" x 5.98"

XT200MDSS – 2" x 3" x 5.98"

XL100MDSS – 1" x 1.5" x 5.98"

XL150MDSS – 1.5" x 3" x 5.98"

XL200MDSS – 2" x 3" x 5.98"

FEATURES

- HIGH FLOW/HIGH HEAD PUMP
- ANSI FLANGED (XL) AND THREADED (XT) OPTIONS AVAILABLE
- HEX DRIVE SHAFT OPTION
- CLOSED IMPELLER
- MAXIMUM IMPELLER DIAMETER: 5.98"

SPECIFICATIONS

- MATERIALS OF CONSTRUCTION: 316SS
- STANDARD NEMA C-FACE MOTORS
- MULTIPLE MATERIAL OPTIONS AVAILABLE FOR BUSHINGS, WASHERS, AND SHAFTS

OPERATING LIMITS

- TEMPERATURES FROM CRYOGENIC TO 400°F
- WORKING PRESSURES TO 300 PSI

TYPE CD-MD

FLOWS TO 170 GPM / HEADS TO 95 FEET



TYPE CL-MD

FLOWS TO 350 GPM / HEADS TO 155 FEET



MODELS

- CD100MDSS – 1" x 1.25" x 4.94"
- CD150MDSS – 1.5" x 2" x 4.94"

FEATURES

- MID-RANGE COMPACT PUMP
- SEMI-OPEN IMPELLER
- MAXIMUM IMPELLER DIAMETER: 4.94"

MODELS

- CL150MDSS – 1.5" x 2" x 5.76"

FEATURES

- HIGH FLOW/HIGH EFFICIENCY PUMP
- HEX DRIVE SHAFT OPTION
- SEMI-OPEN IMPELLER
- MAXIMUM IMPELLER DIAMETER: 5.76"

SPECIFICATIONS

- MATERIALS OF CONSTRUCTION : 316SS
- STANDARD NEMA C-FACE MOTORS
- MULTIPLE MATERIAL OPTIONS AVAILABLE FOR BUSHINGS, WADHERS, AND SHAFTS

OPERATING LIMITS

- TEMPERATURES FROM CRYOGENIC TO 400°F
- WORKING PRESSURES TO 300 PSI

TYPE 2MS-MD

FLOWS TO 60 GPM / HEADS TO 320 FEET



MODELS

2MS75MD - .75" x 1" x 5.98"

FEATURES

- INNOVATIVE 2-STAGE PUMP
- CLOSED IMPELLER
- MAXIMUM IMPELLER DIAMETER: 5.98"

TYPE HP-MD

FLOWS TO 68 GPM / HEADS TO 180 FEET



MODELS

HP75MDSS - .75" x .75" x 6"
 HP100MDSS - 1" x 1" x 6"

FEATURES

- LOW FLOW, HIGH HEAD PUMPING
- CLOSED IMPELLER
- MAXIMUM IMPELLER DIAMETER: 6"

SPECIFICATIONS

- MATERIALS OF CONSTRUCTION : 316SS
- STANDARD NEMA C-FACE MOTORS
- MULTIPLE MATERIAL OPTIONS AVAILABLE FOR BUSHINGS, WADHERS, AND SHAFTS

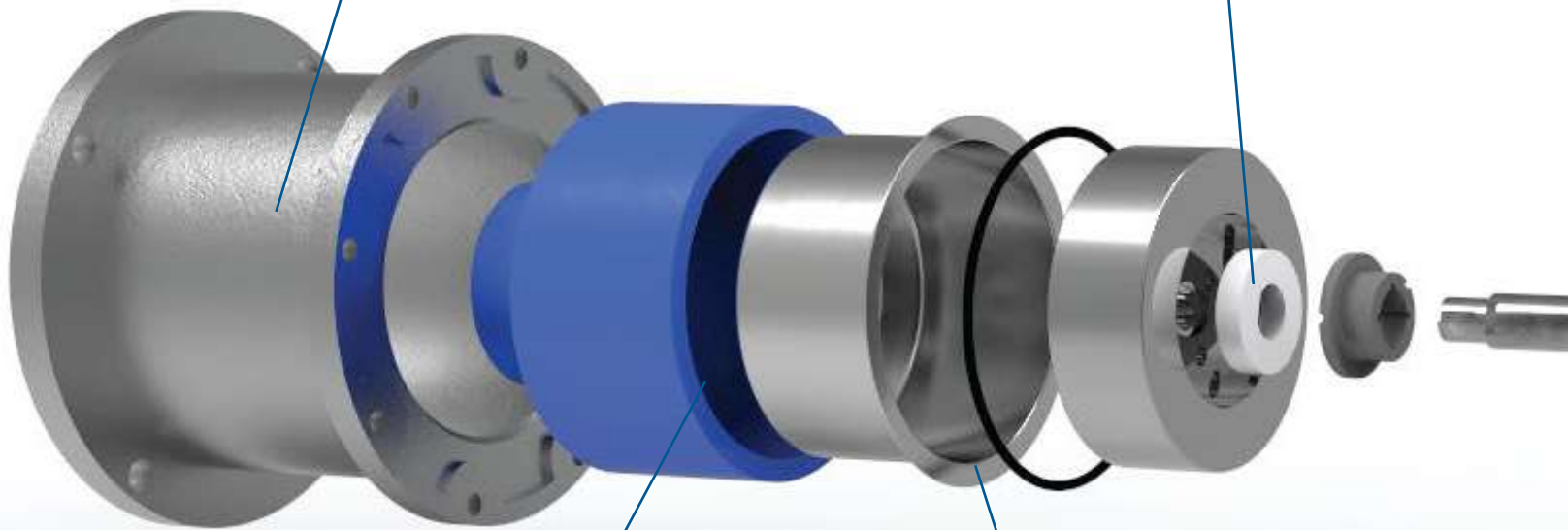
OPERATING LIMITS

- TEMPERATURES FROM CRYOGENIC TO 400°F
- WORKING PRESSURES TO 300 PSI

SEALLESS PUMP ANATOMY

VERSATILE 316 SS MOTOR BRACKET
DESIGNED TO FIT A WIDE RANGE
OF MOTORS

REPLACEABLE CARBON, CERAMIC, OR
SILICON CARBIDE THRUST WASHERS AND
BUSHINGS PROVIDE AXIAL AND RADIAL SUPPORT

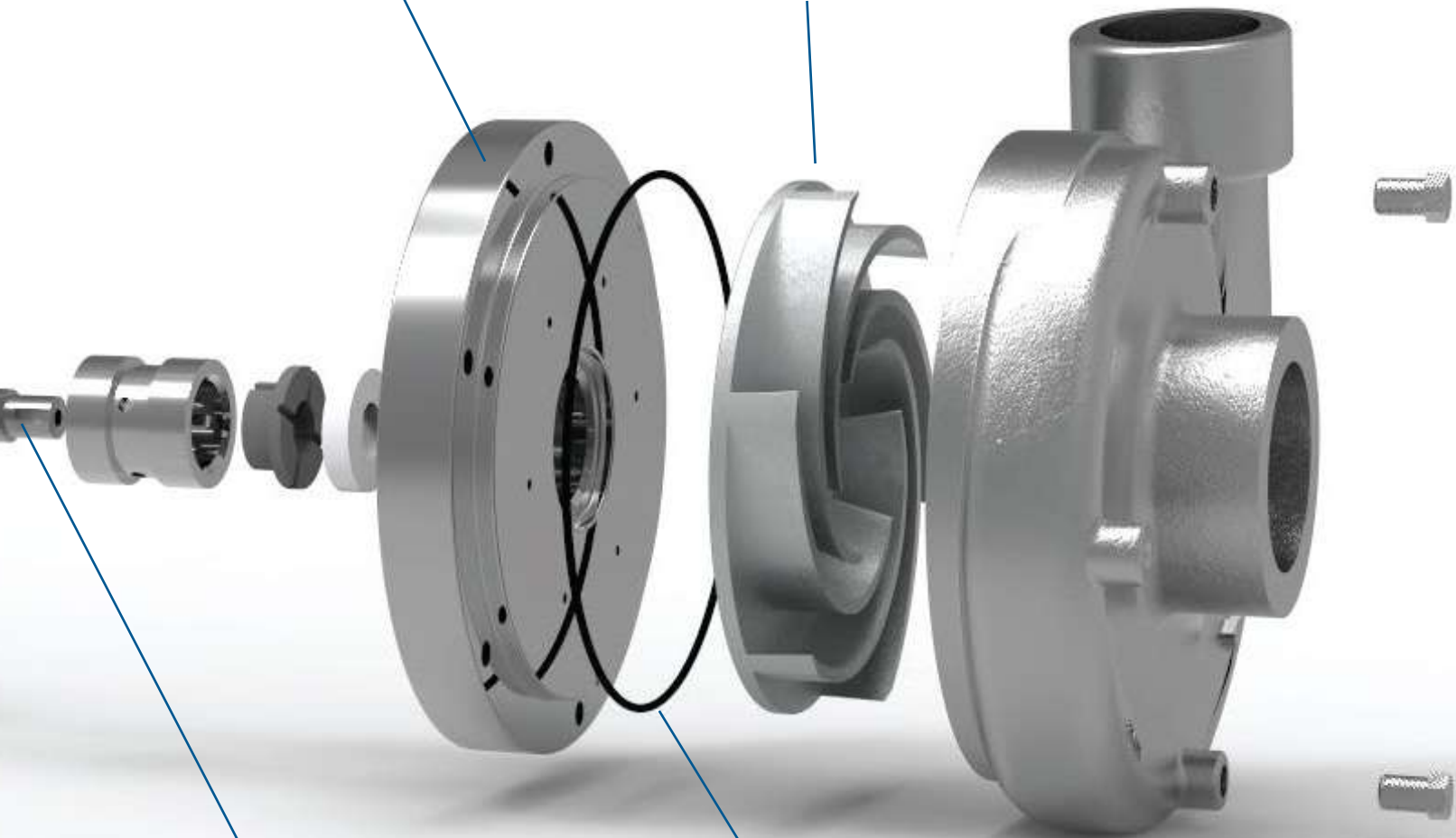


SAMARIUM COBALT
HIGH TEMPERATURE MAGNETS
WITH MULTIPLE STRENGTH OPTIONS

A HERMETICALLY SEALED PUMP END
ALLOWS MOTOR REPAIR AND REPLACEMENT
WITHOUT HAVING TO DRAIN THE SYSTEM,
RESULTING IN MINIMIZED DOWNTIME.

PRECISION MACHINED SEPARATOR
PLATES ARE ENGINEERED WITH
RECIRCULATION PATHS TO ALLOW
ENHANCED LUBRICATION AND COOLING
OF THE BUSHINGS AND WASHERS

DYNAMICALLY BALANCED IMPELLER
DESIGNED WITH BALANCE HOLES TO
REDUCE AXIAL THRUST LOADS



316 SS OR TUNGSTEN CARBIDE
COATED PUMP SHAFT PROVIDES
SUPERIOR CORROSION AND WEAR
RESISTANCE

MULTIPLE O-RING MATERIAL OPTIONS
ALLOWING FOR TEMPERATURES RANGING
FROM CRYOGENIC TO 400°F

VFD FREQUENTLY ASKED QUESTIONS

WHAT IS A VFD?

A VFD, ALSO KNOWN AS A VARIABLE FREQUENCY DRIVE, IS AN ELECTRICAL DEVICE USED TO REGULATE THE SPEED OF ELECTRIC MOTORS. THESE DEVICES GAINED POPULARITY DURING THE 1970'S DUE TO THE ENERGY CRISIS AT THE TIME. VFDs REGULATE SPEED USING THE INPUT FREQUENCY TO THE MOTOR. BY ALTERING THE FREQUENCY, THEY CAN THEREFORE ALTER THE SPEEDS RESULTING IN FINE TUNED PERFORMANCE FOR YOUR PUMP.

WHY DO I WANT A VFD?

THERE ARE MANY BENEFITS TO USING A VFD. SOME OF THE MANY BENEFITS ARE LISTED BELOW:

- **SPEED CONTROL:** ALLOWS FOR BETTER CONTROL OF THE SPEED OF THE ELECTRIC MOTOR. THIS RESULTS IN RELIABLE FLOW CONTROLS.
- **SOFT START:** UTILIZING A VFD AS A SOFT STARTER REDUCES THE TORQUE AND STRAIN ON THE MOTOR AND POWER FRAME. BY MINIMIZING TORQUE, THE INITIAL CURRENT AT STARTUP IS ALSO LOWER.
- **GREATER EFFICIENCY:** VFD'S ARE KNOWN FOR THEIR ABILITY TO CREATE A MORE EFFICIENT SYSTEM. GREATER EFFICIENCIES OFTEN RESULT IN GREATER COST SAVINGS IN BOTH ENERGY AND EXTENDED EQUIPMENT LIFE. MANY COMPANIES REPORT A RETURN ON INVESTMENT IN AS LITTLE AS 3-6 MONTHS.

WHAT IS THE DIFFERENCE BETWEEN A VFD AND A THROTTLING DEVICE?

WHILE BOTH COULD BE USED TO REGULATE FLOW, A THROTTLING DEVICE, SUCH AS A VALVE, WILL DRAMATICALLY REDUCE SYSTEM EFFICIENCY AND CAUSE UNNECESSARY WEAR ON THE PUMP AND MOTOR. USING A VFD CONTROLS THE ROTATION SPEED OF THE MOTOR AND DOES NOT BLOCK OFF A PORTION OF THE FLOW, INSTEAD IT LOWERS THE OVERALL OUTPUT OF THE PUMP TO GET THE DESIRED FLOW. THIS RESULTS IN REDUCING THE ENERGY USAGE OF THE PUMP.

D700 SERIES

THIS ULTRA COMPACT, MICRO-DRIVE AND IS DESIGNED TO BE USER FRIENDLY, COST EFFECTIVE, AND RELIABLE.

- D710W: 1/8-1 HP, 1-PH (110-115V)
- D720S: 1/8-3 HP, 1-PH (200-240V)
- D720: 1/8-10 HP, 3-PH (200-240V)
- D740: 1/2-10 HP, 3-PH (380-480V)

E700 SERIES

THIS COMPACT DRIVE HAS MORE FEATURES AND CAPABILITES THAN THE D700 MAKING IT MORE VERSATILE AND EXPANDABLE, WITH THE SAME COST EFFECTIVENESS AND RELIABILITY.

- E720: 1/8-20 HP, 3-PH (200-240V)
- E740: 1/2-20 HP, 3-PH (380-480V)

FEATURES

- STANDARD 3 PHASE OUTPUT
- PRECISION CONTROL
- 5-YEAR FACTORY WARRANTY
- DYNAMIC APPLICATION: PROVIDES VARIABLE PUMP HYDRAULIC PERFORMANCE
- COST EFFECTIVE AND ENERGY SAVING SOLUTION



Input Voltage	Output Voltage	VFD Selection Chart								
380-480V	380-480V	E740 (3-Phase Input)								
		D740 (3-Phase Input)								
200-240V	200-240V	E720 (3-Phase Input)								
		D720 (3-Phase Input)								
		D720S (1-Phase Input)								
110-115V	230V	D710W (1-Phase Input)								
		1/8	1/2	1	3	5	10	20	20	Horsepower (HP)
		0.1	0.37	0.75	2.2	3.7	7.5	15	15	Kilowatts (kW)
		0.8	1.2	4	10	16	30	30	60	Full Load Amps (FLA)

CASE STUDY: CBD OIL PRODUCTION

PUMP TYPE:

HP100MDSS

FLUID PROPERTIES:

DYNALENE AT -60°F

SPECIAL CONFIGURATIONS:

TUNGSTEN COATED SHAFT

ALPHA SILICON CARBIDE BUSHING/WASHER

FLUOROSILICON O-RING

APPLICATION:

CBD OIL EXTRACTION

ONE OF THE GROWING TRENDS IN MEDICINE IS THE USE OF CBD OIL. CBD OIL IS A PRODUCT DERIVED FROM THE CANNABIS PLANT. SINCE IT LACKS THE THC, THE INTOXICATING CHEMICAL THAT CREATES A HIGH EFFECT, CBD OIL IS OFTEN USED IN THE TREATMENT OF ANXIETY, SEIZURES, CHRONIC PAIN, AND EVEN CANCER. WHILE IT IS NOT NECESSARILY APPROVED AS A MEDICAL TREATMENT FOR THESE CONDITIONS, IT IS GROWING IN POPULARITY AS A HOMEOPATHIC SOLUTION.

THE EXTRACTION PROCESS OF CBD OFTEN REQUIRES VERY LOW TEMPERATURES. THE EXTRACTING OF THE "CRUDE" CBD OIL CAN BE DONE THROUGH A VARIETY OF METHODS. HOWEVER, THE PURIFYING PROCESS IS MOST COMMONLY DONE VIA WINTERIZATION. THE WINTERIZATION PROCESS TAKES THE CRUDE EXTRACT AND DISSOLVES IT INTO ETHANOL AT SUB-ZERO TEMPERATURES CREATING A MIXTURE CALLED MISCELLA. THE MISCELLA IS THEN FILTERED AND THE ALCOHOL IS EVAPORATED OFF RESULTING IN A FILTERED MIXTURE OF CANNABINOIDS.

MOST ALCOHOLS HAVE A VERY LOW FREEZING TEMPERATURE, AROUND -40°F. THIS IS WHERE PRICE PUMP® COMES INTO PLAY. OUR PUMP PLAYS THE CRUCIAL ROLE OF CIRCULATING -60°F AND COLDER REFRIGERANTS THROUGHOUT THE WINTERIZATION PROCESS, ALLOWING THE ALCOHOL-CRUDE MIXTURE TO COAGULATE. OUR SEALLESS PUMPS, LIKE THE HP100MDSS, ARE CAPABLE OF REACHING THESE LOW TEMPERATURES AND MORE, MAKING THEM THE PERFECT FIT FOR THESE SUPER LOW TEMP APPLICATIONS!

PRICE PUMP'S® SEALLESS PUMPS USE A MAGNETICALLY DRIVEN IMPELLER THAT PREVENTS STALLING AT LOW TEMPERATURES AND SEALS THE PUMP END OFF FROM THE MOTOR. THIS CREATES A WIDER RANGE OF FLUID AND TEMPERATURE AVAILABILITY AND ALSO PROVIDES A MUCH CLEANER AND ENVIRONMENTALLY FRIENDLY WAY TO REPAIR OR REPLACE THE MOTORS IF NEEDED. THE SEALLESS DESIGN BUILDS THE PUMP END DIRECTLY INTO THE SYSTEM'S PLUMBING ALLOWING YOU TO REMOVE THE MOTOR WITHOUT HAVING TO DRAIN THE SYSTEM.



THIS APPLICATION IS JUST ONE OF MANY THAT UTILIZES A PRICE PUMP®!

SERVICES



STANDARD PRODUCT SERVICES

PUMP LEAD TIME – 7 TO 10 WORKING DAYS

TWO YEAR PRODUCT WARRANTY

NEXT-DAY SHIPMENT ON ALL SPARE PARTS

WORLDWIDE AUTHORIZED SERVICE CENTERS

“PUMP SELECTION INSTRUCTOR” (PSI) PUMP SELECTION PROGRAM

WORLDWIDE PRODUCT DISTRIBUTION, SERVICE AND SUPPORT



VIP EXPEDITED SERVICES

SAME DAY EXPEDITED SHIPPING FOR PUMPS AND PARTS

PARTS ORDER NEEDED YESTERDAY (PONY) SHIPPING AVAILABLE

NEXT-DAY EXPEDITED SHIPPING FOR PUMPS

MULTIPLE STANDARD CONFIGURATIONS AVAILABLE FOR MOST PRODUCTS

ALL PUMPS CAN BE CUSTOM SPECIFIED/MODIFIED



APPLICATION SUPPORT SERVICES

APPLICATION SPECIALISTS AVAILABLE TO DISCUSS YOUR APPLICATIONS

APPLICATIONS SUPPORT RESPONSE WITHIN 24 HOURS

TEST AND EVALUATION PRODUCT AVAILABLE

VFD PROGRAMMING, TROUBLESHOOTING AND TECHNICAL SUPPORT



ENGINEERING / OEM SUPPORT SERVICES

CUSTOM OR APPLICATION SPECIFIC DESIGN SERVICES

PERFORMANCE / LIFE TESTING AND PRODUCT DEVELOPMENT SERVICES

COMPLIANCE TESTING SERVICES

OEM SPECIFIC MODIFICATIONS / SYSTEM INTEGRATION

ABOUT PRICE PUMP®

1932

FOUNDED BY E.L. PRICE IN EMERYVILLE, CALIFORNIA.

1962

PRICE PUMP® IS ACQUIRED BY LEON J. PAUL AND THE NAME IS RETAINED DUE TO THE REPUTATION FOR QUALITY AND SERVICE.

1980

THE AGRICULTURE MARKET IS REPLACED BY CHEMICAL, LASER, AND SEMICONDUCTOR MARKETS.

1989

PRICE PUMP® RELOCATES TO THEIR 32,000 SQUARE FOOT SONOMA CALIFORNIA FACILITY.

1992

BOB PIAZZA JOINS AS PRESIDENT AND BRINGS A LIFETIME OF PUMP EXPERIENCE.



1994

PRICE PUMP® CONTINUES TO INNOVATE AND LAUNCHES A LINE OF MAGNETICALLY DRIVEN SEALLESS PUMPS.

1999

AIR OPERATED DIAPHRAGM (AOD®) PUMPS ARE ACQUIRED FROM ITT-MARLOW.



2007

PRICE PUMP® PARTNERS WITH MITSUBISHI ELECTRIC AUTOMATION AND INTRODUCES VARIABLE FREQUENCY DRIVES (VFD).

2010

THE XJ400 IS INTRODUCED PRODUCING FLOWS OVER 1000 GALLONS PER MINUTE.

2012

PRICE PUMP® BECOMES AN ISO 9001 CERTIFIED COMPANY.



2012-2017

THE PURCHASE OF A NEW 3D PRINTER AND ADDITIONAL INVESTMENT IN ENGINEERING DESIGN AND DEVELOPMENT LEAD TO RAPID PROTOTYPING. THIS LEADS TO SEVERAL NEW PUMP RELEASES.

2019

NEW CORPORATE HEADQUARTERS OPENED AT 2203 SMEED PARKWAY IN CALDWELL IDAHO. PRICE PUMP® MOVES ALL PRODUCTION TO THIS NEW FACILITY.



2020

PRICE PUMP® FINISHES COMPLIANCE TESTING IN THEIR NEWLY CONSTRUCTED STATE OF THE ART TEST FACILITY; VERIFICATION OF COMPLIANCE WITH DEPARTMENT OF ENERGY PUMP ENERGY INDEX STANDARDS IS COMPLETED.

CHECK OUT OUR OTHER PRODUCT OFFERINGS



HORIZONTAL CENTRIFUGAL PUMPS



VERTICAL CENTRIFUGAL PUMPS



AIR OPERATED DIAPHRAGM (AOD®) PUMPS

FOR MORE INFORMATION PLEASE VISIT WWW.PRICEPUMP.COM

NOTES

A series of horizontal dotted lines provided for user notes.



PRICE PUMP®

**FOR ALL OF OUR CURRENT OFFERINGS AND LOCAL REPRESENTATIVES
PLEASE VISIT WWW.PRICEPUMP.COM**

**2203 SMEED PARKWAY
CALDWELL, ID 83605
1-800-345-PUMP (7867)**

