

# ECLIPSE®

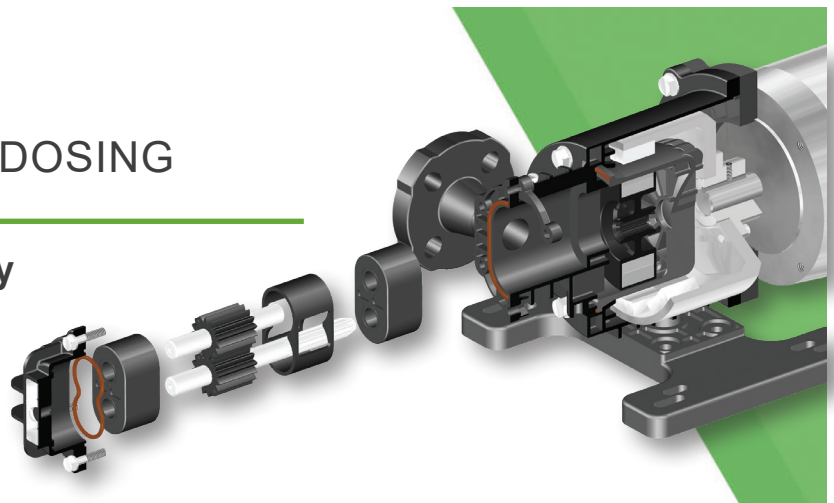
## GEAR PUMPS FOR CHEMICAL DOSING

### VanLare Wastewater Treatment Facility

Rochester, N.Y.

Siewert Equipment,

Pulsafeeder Authorized Distributor



Located on the southern shore of Lake Ontario, the Frank E. VanLare Waste Water Treatment Facility, Monroe County, N.Y., has a total treatment capacity of 660 mgd and is currently running around 100 mgd. The plant uses Non-metallic Eclipse pumps to pump 12.5% Sodium Hypochlorite, Chlorine, for disinfection before the final discharge of the wastewater. VanLare runs 24 hours a day, 365 days per year.

### Benefits of Eclipse Pumps

- Leak free pumping ensures environment and worker safety
- Keep On Pumping kits (KOPkit®) offer drop-in replacements for wear parts
- Cost and frequency of maintenance is very low, less downtime and wasted chemicals

### Eclipse for Chemical Dosing

VanLare originally installed peristaltic pumps for Sodium Hypochlorite and its Environmental Service team was in search of a better solution. Peristaltic hose life is unpredictable and inconsistent. These pumps are not leak free so worker safety was also concern because of inhalation and skin contact with the chemicals. After working with Siewert Equipment, they installed Non-metallic Eclipse pumps. Eclipse sealless design ensures zero emissions of hazardous or regulated chemicals. These pumps have superior chemical resistance. Service is quick and piping and electrical stay in place because of the front pull-out design.

In addition to pumping Sodium Hypochlorite, VanLare installed three Non-metallic Eclipse E25 pumps into the Ferric Chloride station. Ferric Chloride is used for phosphorus removal.



Pump Model	Quantity	Chemical Pumped	Application
E02	2	Sodium Hypochlorite	Scrubber odor control
E02	2	Sodium Hydroxide	Scrubber odor control
E05	5	Sodium Hypochlorite	Effluent disinfection
E05	4	Calcium Nitrate	Odor control
E25	3	Ferric Chloride	Feed to aeration system
E75	3	Sodium Hypochlorite	Odor control to sludge day tanks before centrifuge



### Pulsafeeder, Inc.

2883 Brighton Henrietta Town Line Rd.

Rochester, NY 14623

Phone: +1 (585) 292-8000

pulsa@idexcorp.com • [pulsa.com](http://pulsa.com)

*Pulsafeeder is an ISO 9001 Certified Company.*

© Copyright 2020 Pulsafeeder. All rights reserved.

Rev: Sept 2020