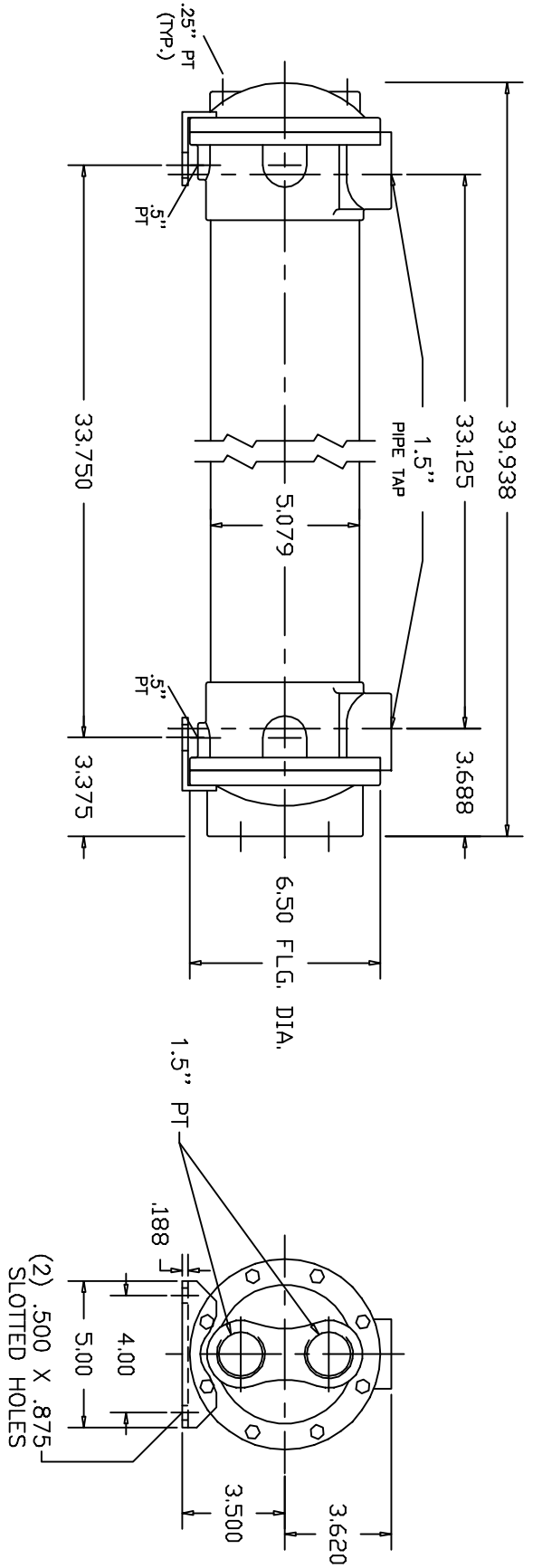


DESIGN DATA			
DESIGN PRESSURE	TEST PRESSURE	DESIGN TEMPERATURE	
TUBESIDE 150 psi	—	450 °F	
SHELLSIDE 225 psi	—	450 °F	
MIN. DESIGN METAL TEMP. -20 °F	WET WEIGHT 99 lbs.	DRY WEIGHT 72 lbs.	



9	4	CAPSCREW	HEX HEAD	CARBON STEEL	.375 - 16 UNC-2A x 1.125 LG.	2-170-5-06-901-09	A
8	12	CAPSCREW	HEX HEAD	CARBON STEEL	.375 - 16 UNC-2A x 1.000 LG.	2-170-5-06-901-08	A
7	2	PIPE PLUGS		316 S/S	.25" PT	2-135-6-90-901-02	A
6	2	SUPPORT FOOT		STEEL		3-425-5-05-101-03	B
5	1	GASKET		COMP. FIBER		3-299-8-05-110-01	A
4	1	GASKET		COMP. FIBER		3-298-8-05-110-01	A
3	1	BONNET	REVERSE	CAST 316 S/S	S-02-06-03	3-104-6-05-815-01	B
2	1	BONNET	1.5" NPT	CAST 316 S/S	S-02-06-03	3-087-6-05-115-01	B
1	1	CORE ASSEMBLY				4-443-05-036-003	A
ITEM NO.	QUAN. REQ'D	DESCRIPTION		MATL. & SPEC.	SIZES / PATTERN NO.	DRAWING NUMBER	DWG. SIZE
10		DRAWING UPDATED PER ECN NO. 0997-3 (PROJ. MILLENNIUM)		8/27/97			
				<p>ALL DIMENSIONS ARE IN INCHES</p> <p>MADE : <input checked="" type="checkbox"/> DATE : 06/23/21</p> <p>CHECK : <input checked="" type="checkbox"/> DATE : 06/23/21</p> <p>ORDER NO. : 230707-01</p> <p>QUANTITY : 1</p> <p>DF : C:/AUTOPOLL/DF_FILE.LDF</p> <p>SCALE : 0.174" = 1.000"</p>			
				<p>This document contains material and / or information which is the property of Xylem Inc., and supplied only on a confidential basis. No transmittal or disclosure shall be made to any person, firm or corporation without prior written approval of Xylem Inc.</p>			
Rev.#	REVISIONS			DATE	TITLE		
	A				05036 SSCF EXCHANGER - 2 PASS		
	5-160-05-036-003				DRAWING NUMBER		
	10				REV.		

Standard Xchange
Buffalo, NY 14227 USA